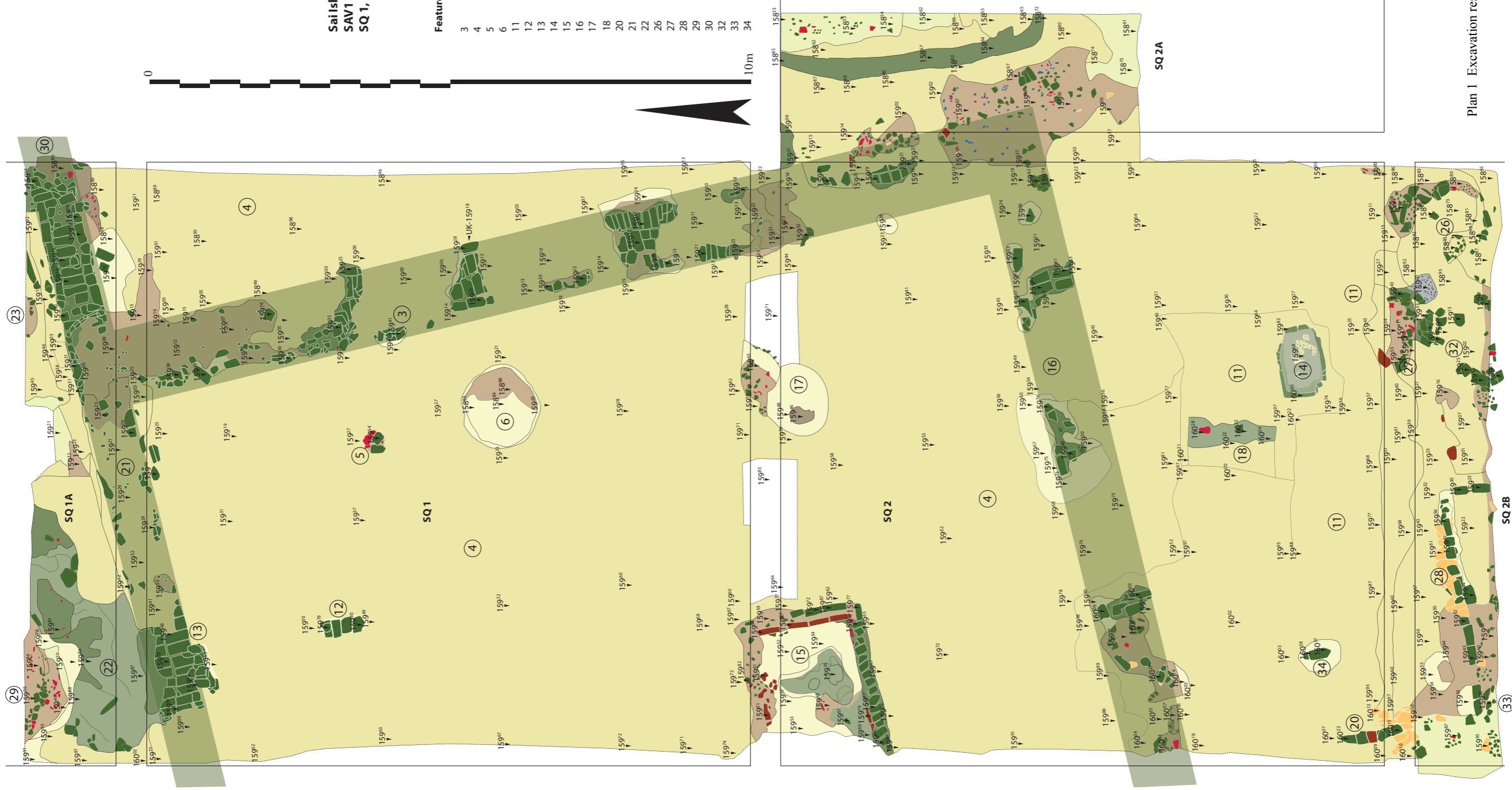
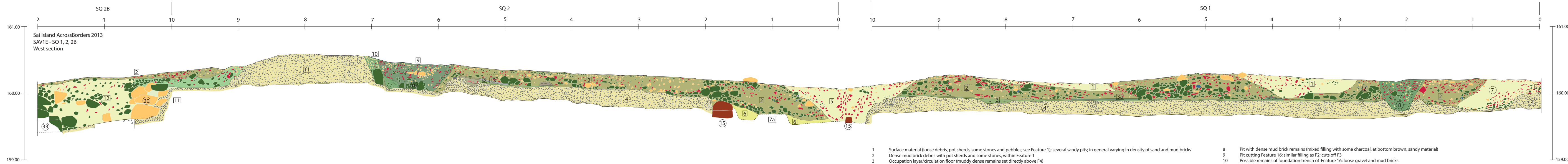


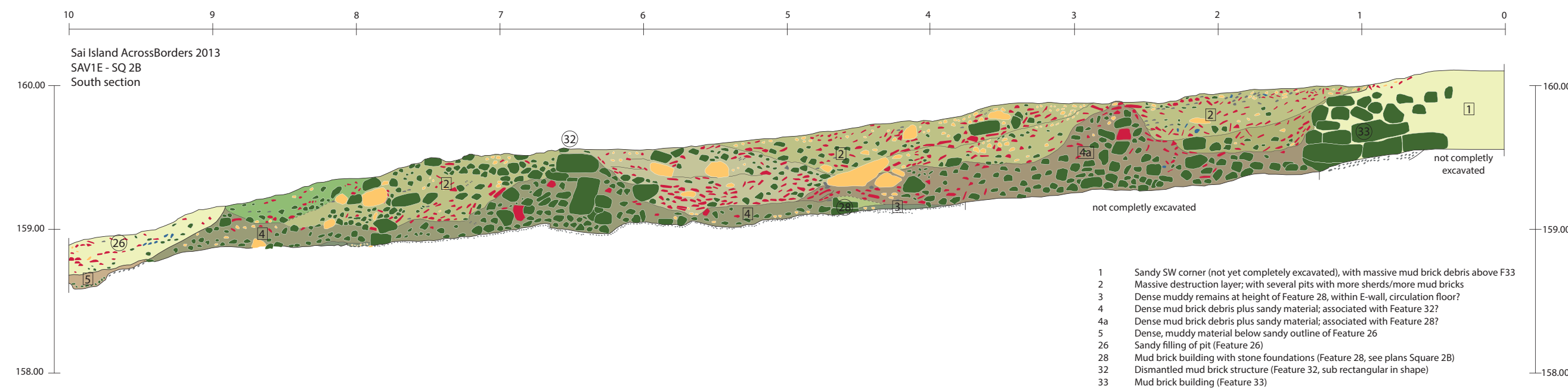
PLANS





Plan 2 West section of Squares 1, 2 and 2B, SAV1 East, season 2013

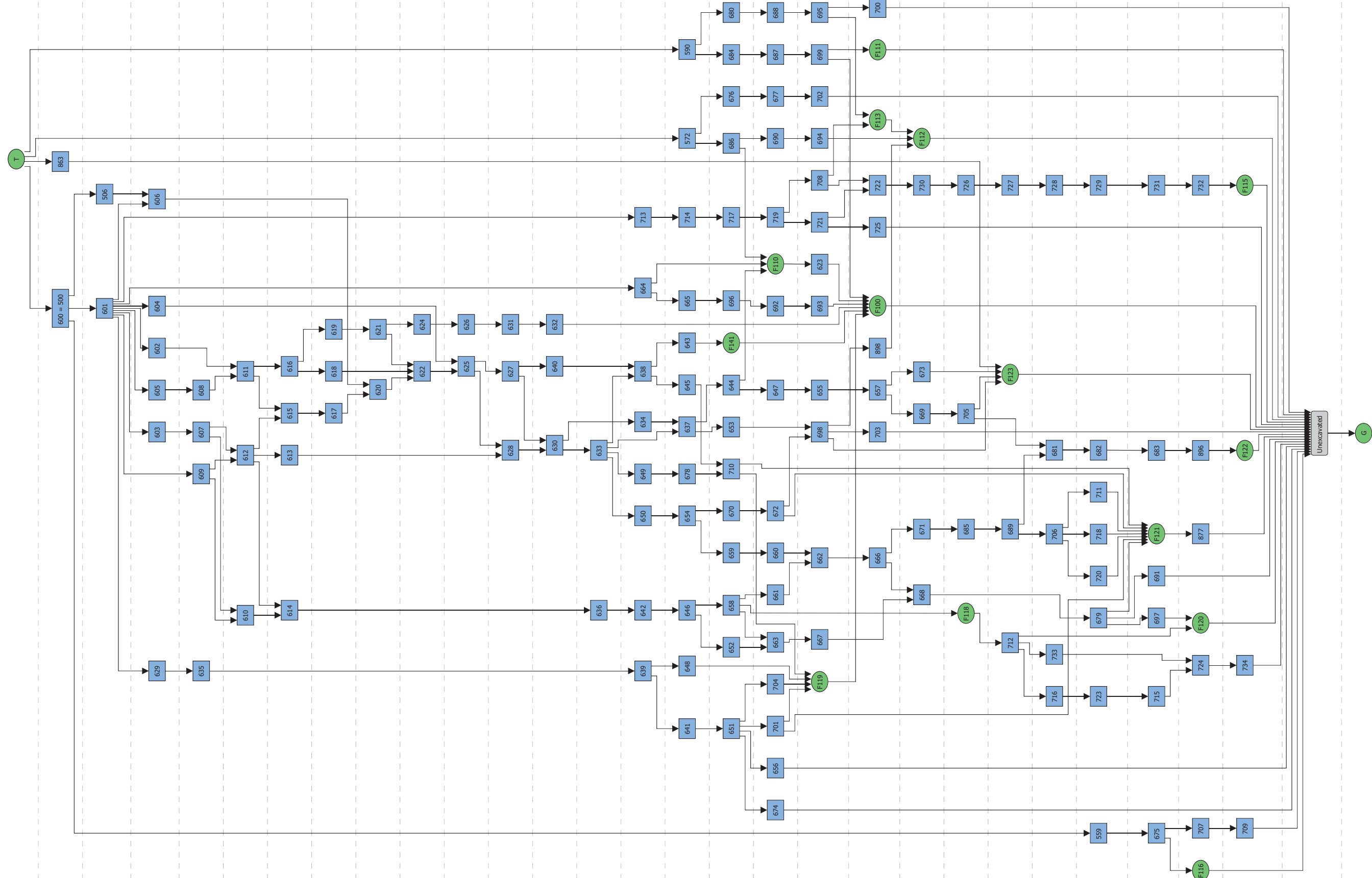
- | | | | |
|----|---|----|--|
| 1 | Surface material (loose debris, pot sherds, some stones and pebbles; see Feature 1); several sandy pits; in general varying in density of sand and mud bricks | 8 | Pit with dense mud brick remains (mixed filling with some charcoal, at bottom brown, sandy material) |
| 2 | Dense mud brick debris with pot sherds and some stones, within Feature 1 | 9 | Pit cutting Feature 16; similar filling as F2; cuts off F3 |
| 3 | Occupation layer/circulation floor (muddy dense remains set directly above F4) | 10 | Possible remains of foundation trench of Feature 16; loose gravel and mud bricks |
| 3a | Muddy layer with very thin, reddish layer of fired bricks (2 cm), directly above 3, occupation layer | 11 | Natural gravel terrace, south of Building A |
| 4 | Gravel deposit; artificial terracing | 12 | Sandy pit with mud brick remains between Feature 20 and Feature 33 |
| 5 | Sandy pit cutting North wall and West part of Feature 15; cuts F1 and F4 | 13 | Ashy occupation level above Feature 3 |
| 6 | Sandy areas below F2, covering Feature 15; partly ashy material | 15 | Mud brick structure with red bricks (Feature 15) |
| 7 | Sandy pit (Feature 7) | 16 | Mud brick wall (Feature 16) |
| 7a | Muddy remains at base of excavated level of Feature 15 | 20 | Mud brick structure with stone foundation (Feature 20) |
| | | 33 | Mud brick building (Feature 33) |



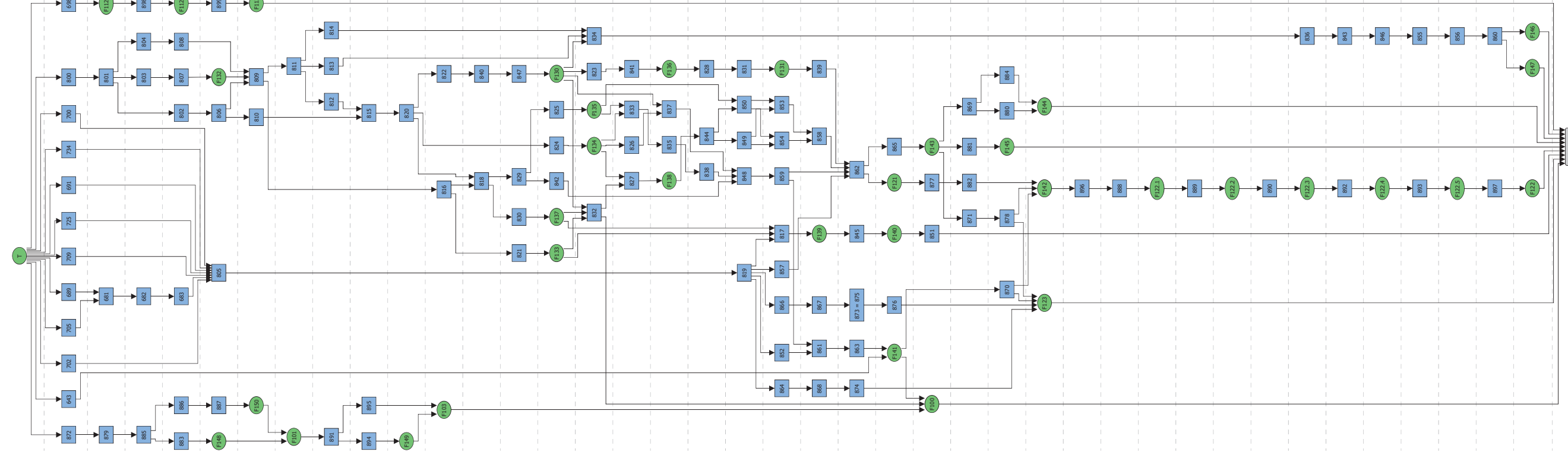
Plan 3 South section of Square 2B, SAV1 East, season 2013

- | | |
|----|---|
| 1 | Sandy SW corner (not yet completely excavated), with massive mud brick debris above F33 |
| 2 | Massive destruction layer; with several pits with more sherds/more mud bricks |
| 3 | Dense muddy remains at height of Feature 28, within E-wall, circulation floor? |
| 4 | Dense mud brick debris plus sandy material; associated with Feature 32? |
| 4a | Dense mud brick debris plus sandy material; associated with Feature 28? |
| 5 | Dense, muddy material below sandy outline of Feature 26 |
| 26 | Sandy filling of pit (Feature 26) |
| 28 | Mud brick building with stone foundations (Feature 28, see plans Square 2B) |
| 32 | Dismantled mud brick structure (Feature 32, sub rectangular in shape) |
| 33 | Mud brick building (Feature 33) |

- | | | | |
|--|-----------|--|----------------|
| | mud brick | | ashy spot |
| | muna | | humous filling |
| | stone | | bone |
| | pottery | | sand |
| | red brick | | gravel |



Plan 4 Harris Matrix SAVI West, season 2015



Plan 5 Harris Matrix SAVI West, season 2016